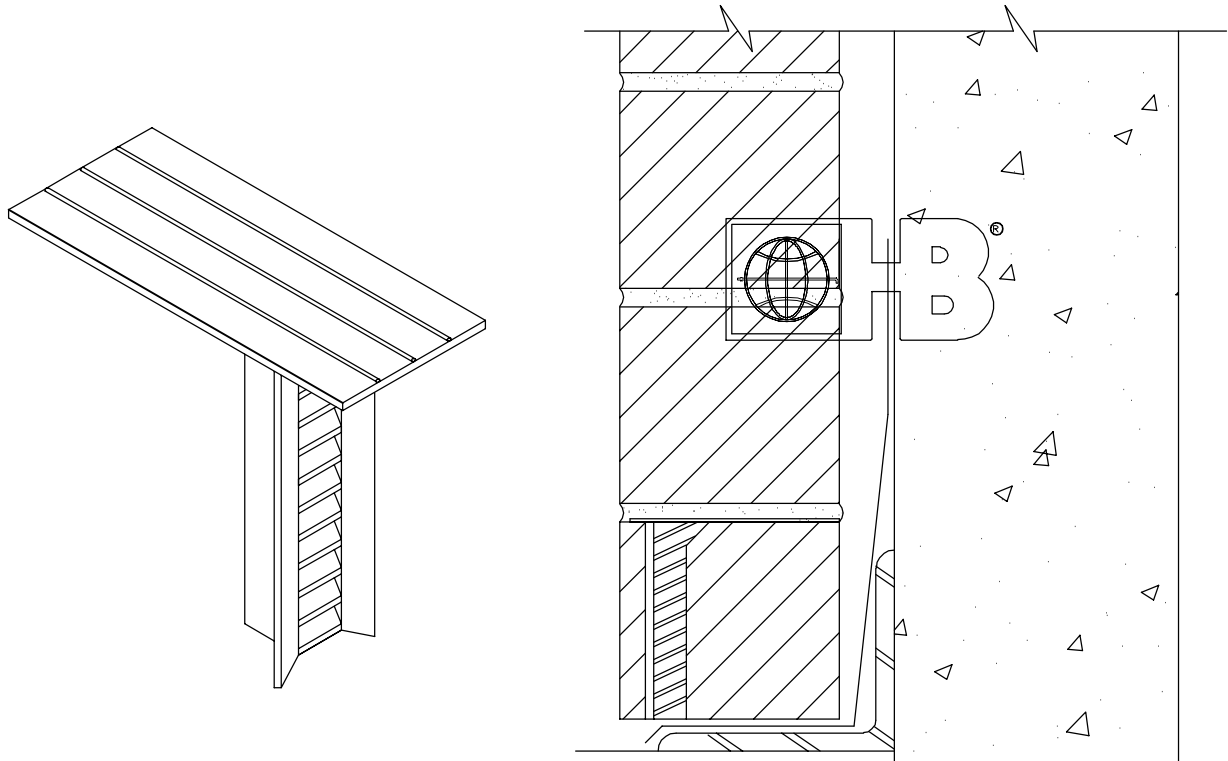


## #343 Louvered Weep Hole



DRAWINGS FOR ILLUSTRATIVE PURPOSES ONLY

**FEATURES:**

- Injection-molded flexible PVC
- Configuration of louvers directs passage of water from cavity to outside of building, while preventing reverse passage of water
- Design permits air passage into cavity, thus aiding pressure equalization and reducing suction which can cause water penetration
- Rectangular closure strip prevents mortar droppings from clogging openings
- Compressible flanges can accommodate joint widths of 1/2" - 3/4"
- #343 available in gray only

**SIZE:**

- Standard: 2 1/4"
- Medium: 2 7/8"
- Jumbo: 3 1/2"