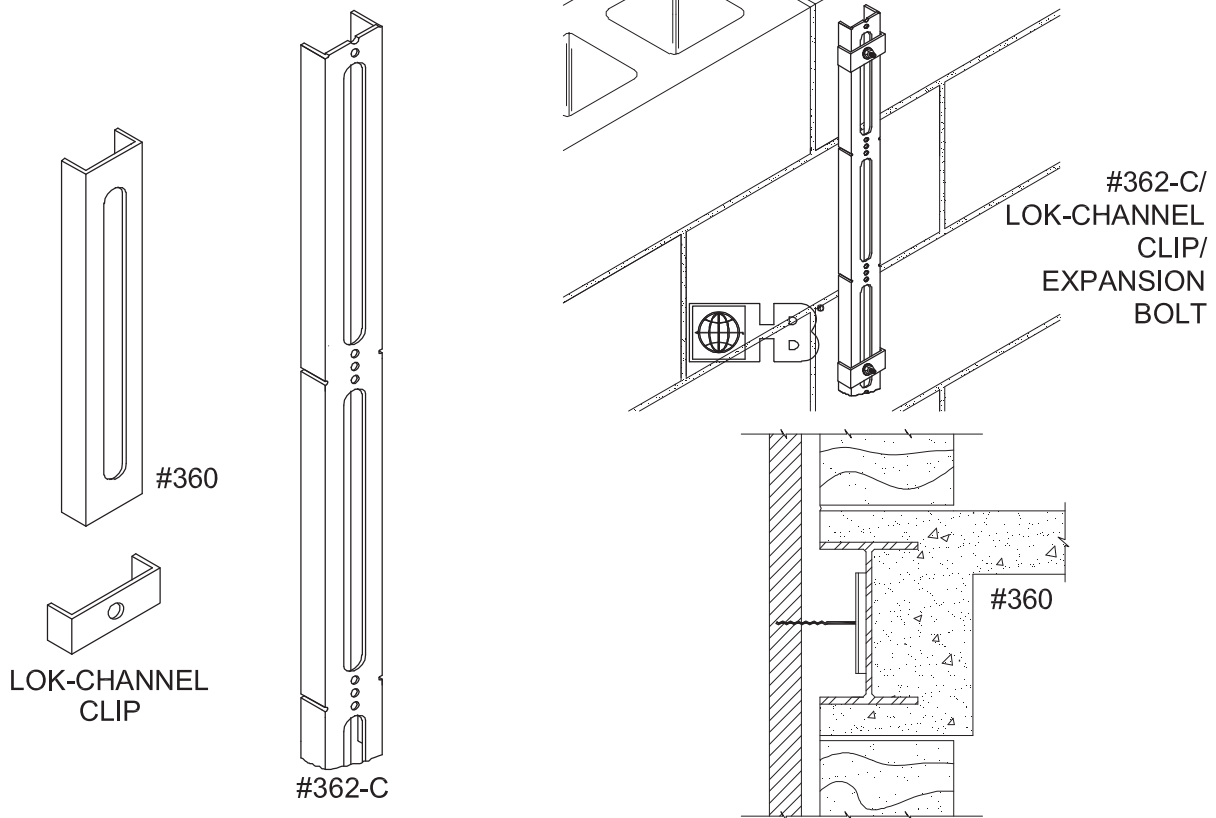




#360 & 362-C - Gripstay Channel



DRAWINGS FOR ILLUSTRATIVE PURPOSES ONLY

SHEET METAL (Carbon Steel):

ASTM A 366

Zinc Coating:

ASTM A 153 Class B (sheet metal ties and anchors hot-dip galvanized after fabrication)

Note: Hohmann & Barnard will certify to a minimum of 2.0 oz/ft²

SHEET METAL (Stainless Steel):

ASTM A 167 - AISI Type 304 Stainless Steel (sheet metal ties and anchors) (Type 316 available on special order)

Note: H&B recommends Stainless Steel for maximum protection against corrosion.

PRODUCT:

- #360
- #362-C

THICKNESS:

- 14 Gauge
- 12 Gauge
- 11 Gauge

FINISHES:

- Mill galvanized
- Hot-dip galvanized
- Stainless Steel
- Optional Lok-Channel Clips (For use with #362-C)

NOTES:

- Length of #360 is 7 1/2" (5 1/2" vertical adjustability)
- #362-C is a continuous Gripstay Channel. Standard length is 5'-0". Other lengths available in 7 1/2" increments (Example 15", 22 1/2", 30" etc.)
- Lok-Channel Clips allow attachment to masonry (as shown). #360 & #362-C are welded onto structural steel and accept H&B Gripstay Anchors for masonry or stone. #362-C can also be attached to a masonry backup using H&B's Lok-Channel Clips and H&B's Expansion Bolts (as shown above).

