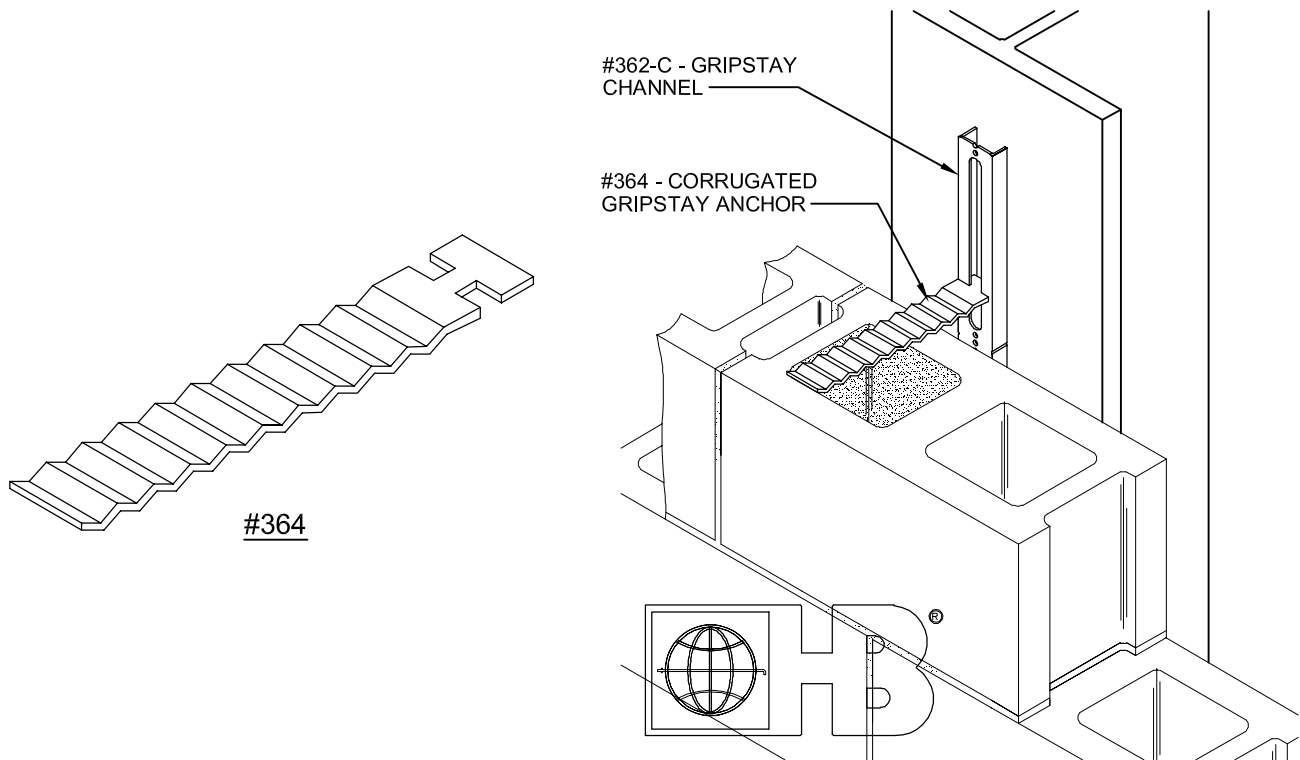


#364 - Corrugated Gripstay Anchor



DRAWINGS FOR ILLUSTRATIVE PURPOSES ONLY

<p>SHEET METAL (Carbon Steel): ASTM A 366 Zinc Coating: ASTM A 153 Class B (sheet metal ties and anchors hot-dip galvanized after fabrication) Note: Hohmann & Barnard will certify to a minimum of 2.0 oz/ff</p> <p>SHEET METAL (Stainless Steel): ASTM A 167 - AISI Type 304 Stainless Steel (sheet metal ties and anchors) (Type 316 available on special order) Note: H&B recommends Stainless Steel for maximum protection against corrosion.</p>	<p>THICKNESS: <input type="checkbox"/> 14 Gauge <input type="checkbox"/> 12 Gauge</p> <p>LENGTH: <input type="checkbox"/> _____</p> <p>WIDTH: <input type="checkbox"/> 1 1/4"</p> <p>FINISH: <input type="checkbox"/> Mill Galvanized <input type="checkbox"/> Hot Dip Galvanized <input type="checkbox"/> Stainless Steel</p>
--	--