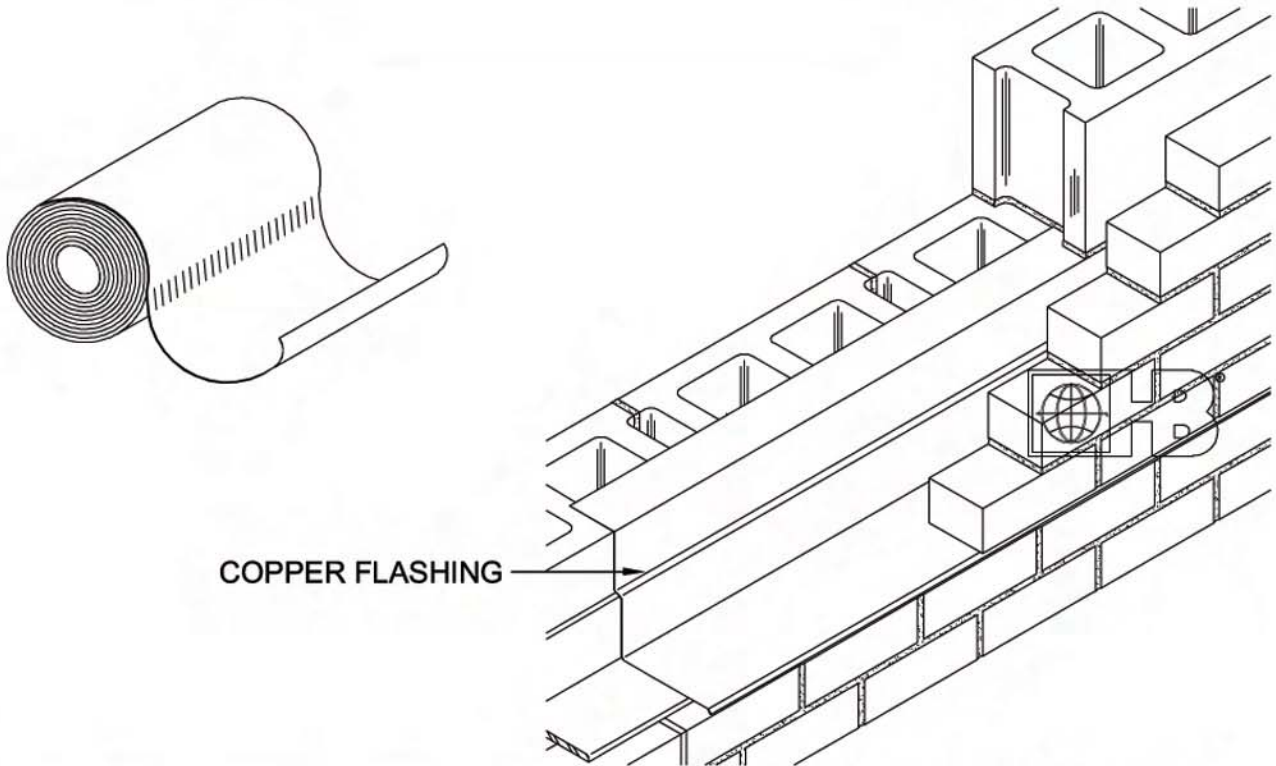


## Copper Thru-Wall Flashing



DRAWINGS FOR ILLUSTRATIVE PURPOSES ONLY

### Copper Flashing

Copper flashing has long been used in masonry construction due to its non-reaction to any alkalis or acids that may be found in mortar.

#### C-FAB<sup>®</sup> (Copper Fabric)

- Soft-tempered copper permanently coated and bonded between two layers of asphalt-saturated glass fabric
- High tensile strength, yet very workable
- Asphalt-saturated glass fabric adds protection to copper during shipment, while adding another layer of waterproofing and chemical resistance
- Coarse texture aids in bonding with mortar.
- 25-foot rolls

#### C-KRAFT<sup>®</sup> DUPLEX

- Kraft paper bonded to copper on both sides with a clear, waterproofing adhesive
- 60-foot rolls

Copper sheet used in the fabrication of H&B copper-laminates conforms to ASTM B370-03 (110 Alloy)

#### H&B Asphalt Mastic

H&B Asphalt Mastic is a high-grade, asphalt-based cement used in bonding asphalt-coated flashing to construction surfaces. It provides a strong, flexible waterproof barrier with excellent adhesion. H&B Asphalt Mastic allows for expansion or contraction caused by temperature fluctuations or building movement. Asphalt cement is furnished in 5 gallon pails.

#### C-FAB<sup>®</sup> (Copper Fabric)

#### C-KRAFT<sup>®</sup> DUPLEX

#### COPPER WEIGHT / SQ. FT.

- 3 oz.
- 5 oz.
- 7 oz.

#### STANDARD WIDTHS:

- 12"     20"
- 14"     24"
- 16"     32"
- 18"     36"

Special roll widths available upon request. State size \_\_\_\_\_

#### H&B ASPHALT MASTIC (5 Gallon Pail)

#### CORNERS:

- Inside     Outside

Note: Contact H&B technical dept. for complete storage & installation information.