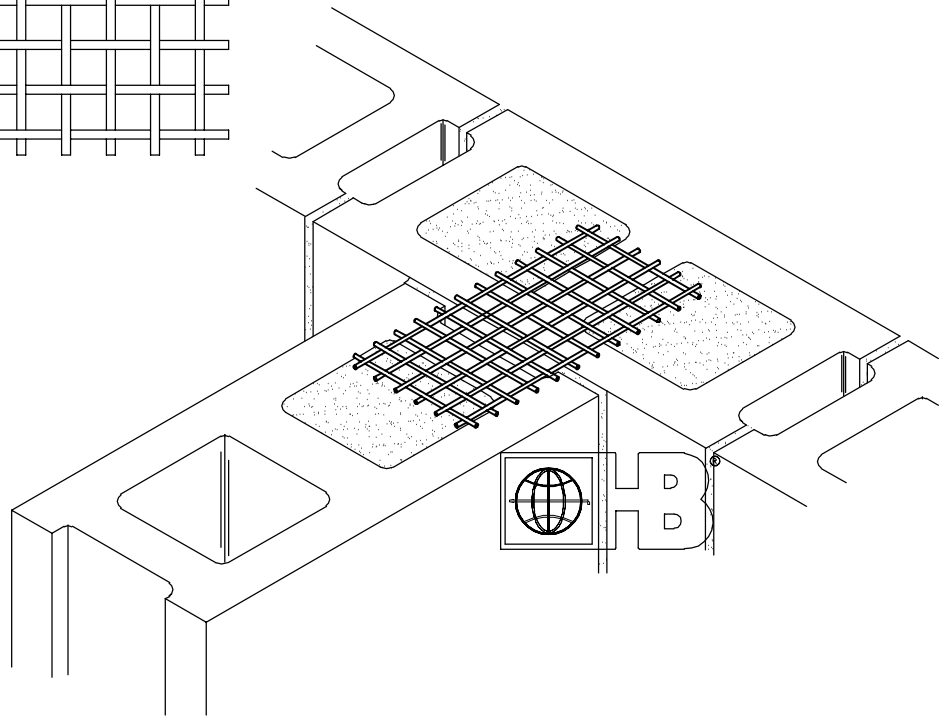
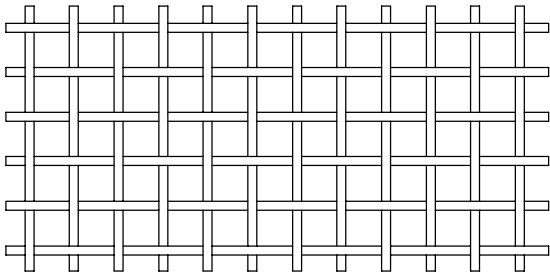


#MWT - Mesh Wall Tie



DRAWINGS FOR ILLUSTRATIVE PURPOSES ONLY

FINISHES:

- Hot-dip galvanized (ASTM A 185)
- Stainless Steel (ASTM E 437, Type 304)

LENGTH:

- 8"
- 12"
- OTHER _____
- 100 FT. ROLL

WIDTH (FOR ROLL OR PIECE):

- 3" WIDE FOR 4" WALL
- 4" WIDE FOR 6" WALL
- 6" WIDE FOR 8" WALL
- 8" WIDE FOR 10" WALL
- 10" WIDE FOR 12" WALL
- OTHER _____

NOTES:

- 1/2" square x 16 ga.
- Cut to any width or length required

