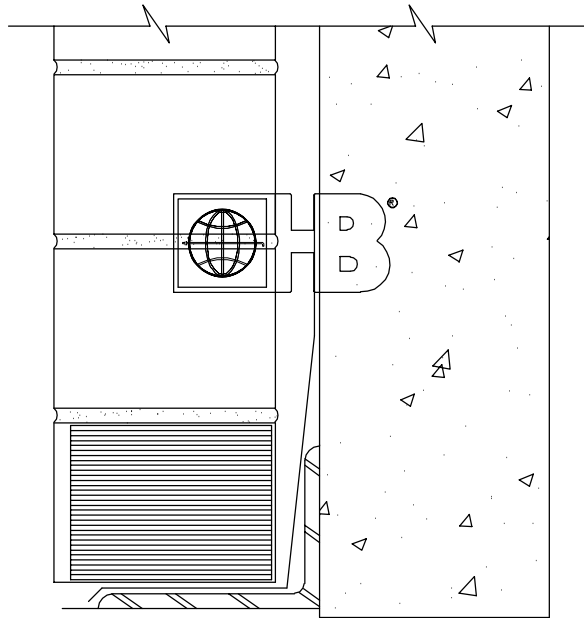
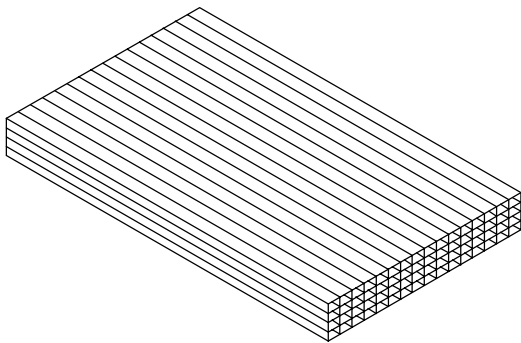


#QV - Quadro-Vent



DRAWINGS FOR ILLUSTRATIVE PURPOSES ONLY

<p>FEATURES:</p> <ul style="list-style-type: none"> <input type="checkbox"/> Quadro-Vent's honeycomb design allows passage of moisture from cavity to the building exterior while restricting ingress of insects and other debris. <input type="checkbox"/> Quadro-Vent allows passage of moisture up to its 2 1/2" height, important in the event of mortar droppings at bottom of cavity. <input type="checkbox"/> Polypropylene tested in conformance with ASTM D2240, D790B, D638 and D1238B. 	<p>SIZE:</p> <ul style="list-style-type: none"> <input type="checkbox"/> Standard: 3/8" x 2 1/2" x 3 3/8" <input type="checkbox"/> Jumbo: 3/8" x 3 1/2" x 3 1/2" <input type="checkbox"/> Custom Cut: 3/8" x _____ x _____ <p>COLOR:</p> <ul style="list-style-type: none"> <input type="checkbox"/> Gray <input type="checkbox"/> Clear <input type="checkbox"/> Cocoa <input type="checkbox"/> Almond
-------------------------------------------------------------------------------------------------------------------------------------------------------------------------------------------------------------------------------------------------------------------------------------------------------------------------------------------------------------------------------------------------------------------------------------------------------------------------------------------------------------------------------------------	--------------------------------------------------------------------------------------------------------------------------------------------------------------------------------------------------------------------------------------------------------------------------------------------------------------------------------------------------------------------------------------------------------------------------------------------------------------------------------------------------