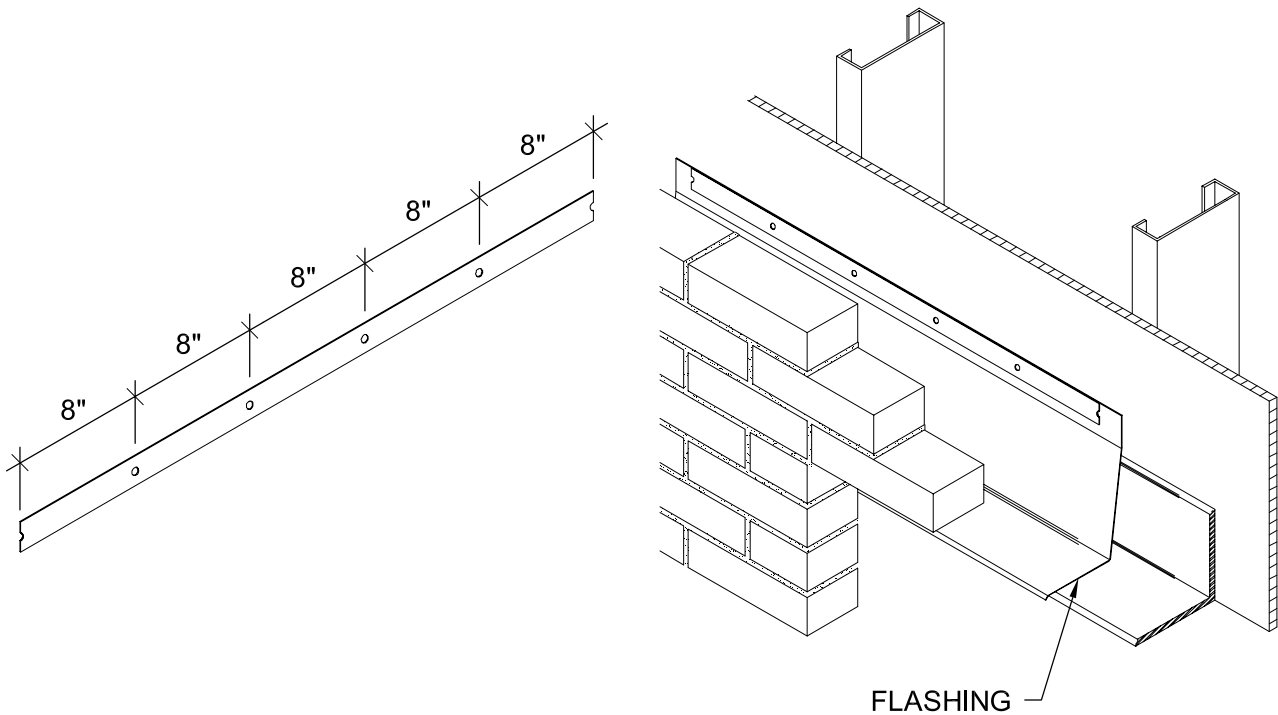


#T1 - Termination Bar



Used at top of flashing to mechanically secure it to back-up.

- Type 304 stainless steel
- 1/4" holes spaced 8" o.c.
- T1 is standard style 1/8" x 1" x 96".